

CCA-2810WF-20

AHD/960H IR Turret Camera



720p 1MP AHD Turret with IR and 3.6mm Fixed Lens

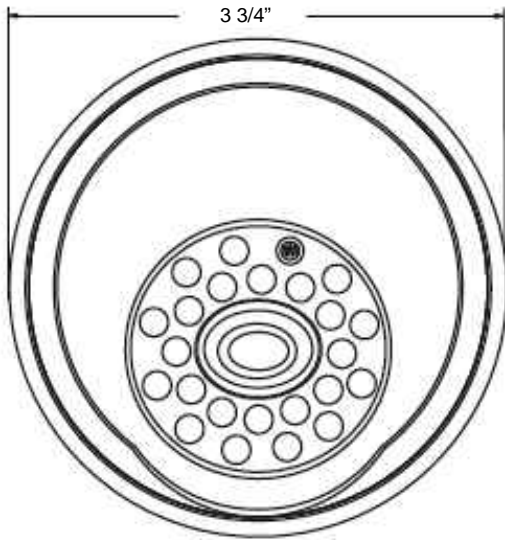
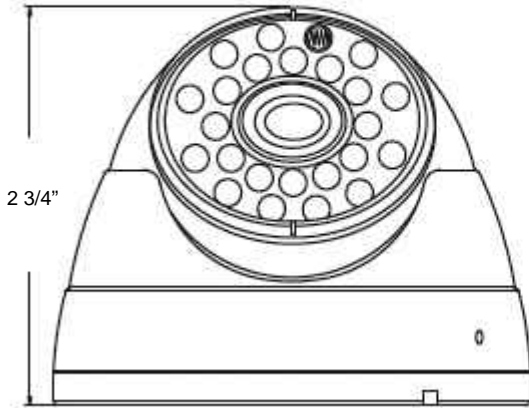
- ☞ Analog high definition for 720p resolutions over coax
- ☞ IP66 rated weatherproof housing
- ☞ DWDR technology for great performance in all lighting
- ☞ True day/night performance, utilizing a motorized IR cut filter
- ☞ 0 lux with IR LEDs on
- ☞ 24 IR LED built-in array with smart IR LED control for IR projection up to 65 feet
- ☞ 3-axis gimbal design, allows camera to be mounted to any surface, at any angle
- ☞ Split glass technology – eliminates IR reflection
- ☞ 3 3/4" (diameter) x 2 3/4" (height)



Contact your Crest Representative today to learn more about this product!



Product Data: CCA-2810WF-20 AHD/960H IR Turret Camera



Model Number	CCA-2810WF-20
Product Description	AHD/960H Color Turret Camera with IR
Image Pick-Up Device	1/4" Aptina 1.0MP CMOS Sensor
Resolution	720p (1280 x 720)
Minimum Illumination	0.01 Lux in Color; 0 Lux with IR On
S/N Ratio	More than 50dB
Auto Electronic Shutter	NTSC: 1/30-1/60,000s
Auto Gain Control	Auto
Auto White Balance	Auto
Back Light Compensation	Auto
Scanning System	Progressive Scan
Gamma Characteristic	0.45
Lens Furnished	3.6mm Fixed Lens
Synchronous System	Internal; Negative Polarity
Video Output	1 Vp-p / 75 Ohms, BNC Connector
Infrared Luminary	24 pieces Smart IR LED
Wave Length	850nm
OSD	No
Projection Distance	Up to 65 feet
Day/Night Activation	Auto
Power Supply	12vDC +/-10%
Power Consumption	500mA with IR LED On
Operating Temperature	14 ~ 122°F
Dimensions	3 3/4" (dia) x 2 3/4" (h)

Model Number	CCA-2810WF-20
Product Description	AHD/960H Color Turret Camera with IR
Image Pick-Up Device	1/4" Aptina 1.0MP CMOS Sensor
Resolution	720p (1280 x 720)
Minimum Illumination	0.01 Lux in Color; 0 Lux with IR On
S/N Ratio	More than 50dB
Auto Electronic Shutter	NTSC: 1/30-1/60,000s
Auto Gain Control	Auto
Auto White Balance	Auto
Back Light Compensation	Auto
Scanning System	Progressive Scan
Gamma Characteristic	0.45
Lens Furnished	3.6mm Fixed Lens
Synchronous System	Internal; Negative Polarity
Video Output	1 Vp-p / 75 Ohms, BNC Connector
Infrared Luminary	24 pieces Smart IR LED
Wave Length	850nm
OSD	No
Projection Distance	Up to 65 feet
Day/Night Activation	Auto
Power Supply	12vDC +/-10%
Power Consumption	500mA with IR LED On
Operating Temperature	14 ~ 122°F
Dimensions	3 3/4" (dia) x 2 3/4" (h)

Specifications subject to change

